

BEKT-S1501CII



Barudan
THE MOST ADVANCED EMBROIDERY MACHINE SINCE 1959

Accessories



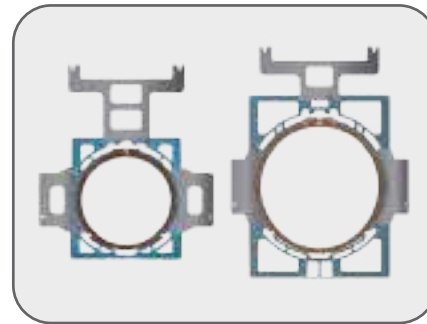
Wide Cap Frame



Pocket Frames



Frames for Finished Products



Spider Frames



Portal Frame



Signal Tower

B-NET (Option)

Complete Production Management Software

B-NET is an embroidery machine networking system for seamless transfer of designs and offers the following.



Design File Server
Design transfer via LAN connection

Receive Transfer

Sewing Machine Manager
Machine status on floorplan

Thread Break Running

Design File Explorer
Design file viewing and managing

Design File Function Editor
Design editing and function changes

C01 -> C02
C03 -> C05
C06 -> C15

B-NET - Reporting
Productivity & status reporting

B-NET WEB
Machine status, history, and maintenance activities on browser (tablet compatible)

B-NET WEB API ※Optional
Web API lets B-NET integrate with the user's current order entry software



BARUDAN CO., LTD.



■ Sales Headquarter
20 Tsukagoshi, Josuiji, Ichinomiya-city, Aichi-pref.,
491-0004 Japan
Phone +81 586-76-1137
Fax +81-586-77-1499
URL <http://www.barudan.co.jp/>
E-mail info@barudan.co.jp

Agent:

BEKT-S1501CII

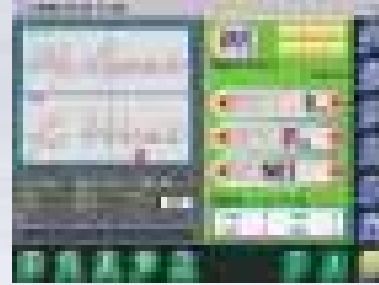
MODEL
BEKT-S1501CII



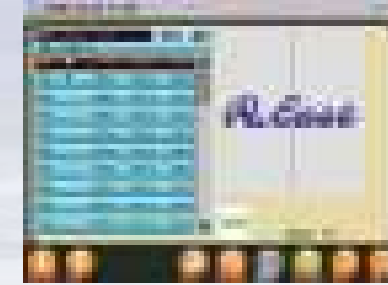
- Frame Centering Function
- Frame Limit Function
Able to restrict machine operation when a design does not fit to the frame or when there is a risk of a needle bar hitting the frame.
- Shortcuts
Customize most-used icons to save time.
- LAN Connector Standard, 1 USB port
- Touch screen (8.4 inch, Resolution 800×600)
- 70 million stitch capacity, 100 memory locations

Name Drop

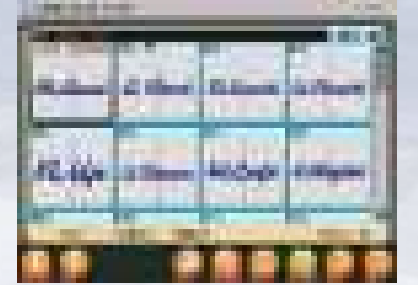
Separates names in a multiple name design for view and sewing purposes.



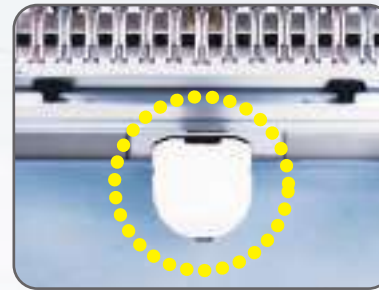
Name Drop Drive Mode



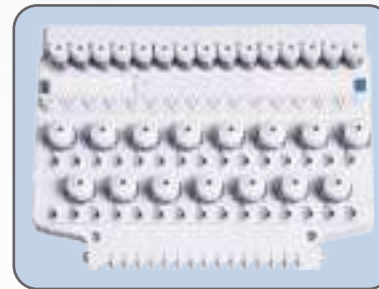
Name in Name List



Name in Thumbnail List



New trimmer system along with smaller diameter cylinder arm allows for sewing deeper into confined areas.



New tensioner system provides better and easier thread tensioning and improved thread break accuracy.

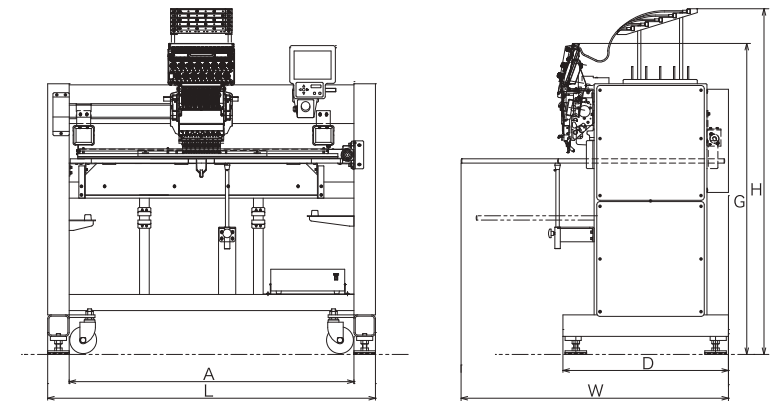
Features



Laser Pointer



LED Back Light



Machine Specifications / Main Dimensions

MODEL	Embroidery Area (mm)	Cap Frame (mm)	Frames for Finished Products Maximum (mm)	Number of Needles	Stitch Length (mm)	Speed (rpm)	Power Supply (v)	Power Consumption (kw)	Dimensions (mm)						Weight (kg)
									L	W	H	A	D	G	
BEKT-S1501CII	450×520	86×360	460×434	15	0.1~12.7	(Tubular Frame) 200~1300 (Cap Frame) 200~1000	1φ100~240	0.225	1525	1244	1608	1325	770	1447	350

- The embroidery area indicated above allows for maximum pantograph movement. The frame used may restrict the actual embroidery field size.
- Machines and Specifications are subject to change at any time without prior notice.