

# BEKT-S1501CBIII

*The Largest and Widest Embroidery Area in Drop Table and Single Head Line Up*



MODEL  
BEKT-S1501CBIII  
(360×1200/1200)



*Wide embroidery area of 1200mm achieves various kinds of works*

*The largest embroidery field in the line up of drop table models up to 1200mm in V direction.*

*Suitable for larger and wider materials such as banners and flags. Frames for finished products and Cap Frame also available.*

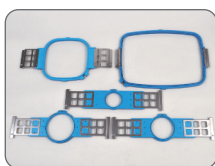
Machine Specifications / Main Dimensions

MODEL	Embroidery Area(mm)	Cap Frame(mm)	Number of Needles	Stitch Length(mm)	Speed(rpm)		Power Supply(v)	Power Consumption(kw)	Dimensions(mm)		
					Tubular Frame	Cap Frame			L	W	H
BEKT-S1501CBIII	360×1200/1200	86×360	15	0.1~12.7	200~1000	200~1000	1 φ 100~240	0.225	2490	1195	1669

Note 1 : The embroidery area indicated above allows for maximum pantograph movement. The frame used may restrict the actual embroidery field size.

Note 2 : Machines and Specifications are subject to change at any time without prior notice.

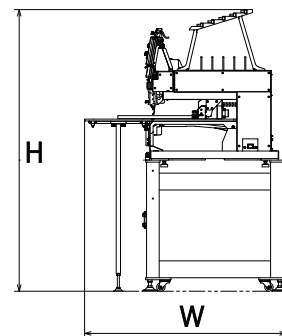
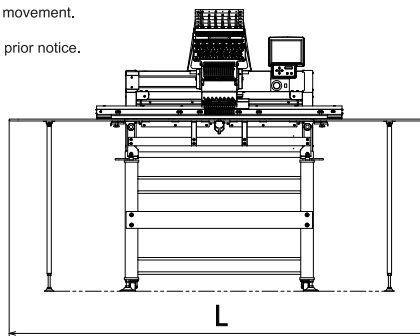
### Accessories



Blue Frames for Finished Products



Wide Cap Frame



## BARUDAN CO., LTD.



■Sales Headquarter

20 Tsukagoshi, Josuiji, Ichinomiya-city, Aichi-pref.,  
491-0004 Japan  
Phone +81 586-76-1137  
Fax +81-586-77-1499  
URL <http://www.barudan.co.jp/>  
E-mail [info@barudan.co.jp](mailto:info@barudan.co.jp)

Agent:

We reserve the right to change specifications without notice for the purpose of product improvement.

2023-07

*Barudan*

THE MOST ADVANCED EMBROIDERY MACHINE SINCE 1959